

# 480TB/G EUROMOLD® Compact tee connector for multiple voltage levels

Interface C

up to 42 kV, 630 A/1250 A<sup>1)</sup>

## Application

Suitable for installation on polymeric insulated medium voltage cables with extruded easy strip conductive screen or bonded extruded conductive screen. For use with other cable types please contact our sales representative.

## Technical characteristics

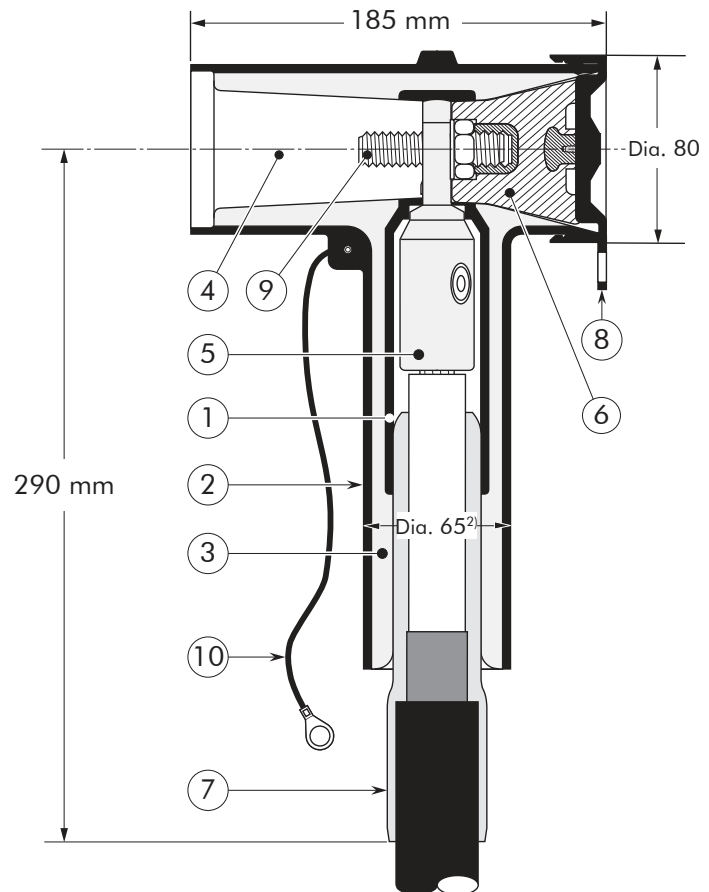
- The thick conductive EPDM jacket provides a total safe to touch screen to ensure safety.
- Metal housing available on request.
- For use with test rod 800TR/800TR-A.
- Each separable connector is tested for AC withstand and partial discharge prior to leaving the factory.

$U_0 / U (U_m)$
6/10 (12) kV
6.35/11 (12) kV
8.7/15 (17.5) kV
12/20 (24) kV
12.7/22 (24) kV
18/30 (36) kV
19/33 (36) kV
20.8/36 (42) kV

## Design

1. Conductive EPDM insert
2. Conductive EPDM jacket
3. Insulating EPDM layer
4. Type C1 + C2 interface as described by CENELEC EN 50180 and 50181
5. Bolted or crimp conductor contact
6. Basic insulating plug (with voltage detection point, standard from 30 kV)
7. Cable reducer
8. Conductive rubber cap
9. Clamping screw 430 TCS (optional M16 stud with spring washer and nut)
10. Earth lead

The screen break design enables cable outer sheath testing without removing or dismantling the connector.



<sup>2)</sup> The indicated diameter is a die dimension. Depending on the conductor cross-section used, a deviation of up to +5 mm is possible.

## Specifications and standards

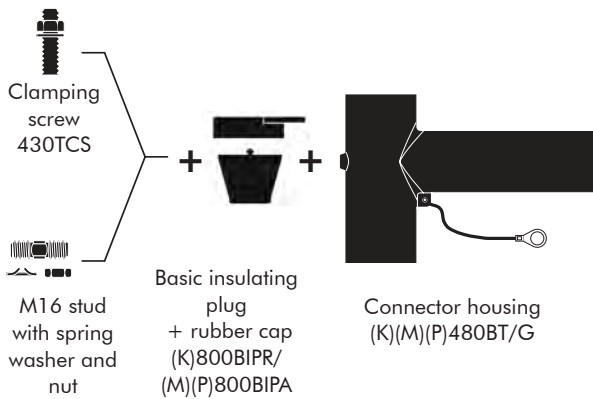
The 480TB/G separable connector meets the requirements of CENELEC HD 629.1. ATEX version can be delivered on request.

Separable connector type	Nominal voltage $U_0 / U$ (kV)	Current $I_n$ (A)	Conductor cross-section (mm <sup>2</sup> )	
			min.	max.
480TB/G	6/10	630/1250 <sup>1)</sup>	25	300
K480TB/G	12/20	630/1250 <sup>1)</sup>	35	300
M480TB/G	18/30	630/1250 <sup>1)</sup>	50	300
P480TB/G	20.8/36	630/1250 <sup>1)</sup>	50	240

<sup>1)</sup> When installed on appropriate equipment bushing.

## Kit contents

The complete (K)(M)(P)480TB/G tee connector kit comprises 3 x the following components:



The kit also comprises:  
 + installation instructions  
 + silicone grease  
 + wipers  
 + screen wire cable lugs

Standard delivery range  
 For application with a compression conductor connector, the cable data, including the shape, cross-section and material of the conductor, must be indicated when ordering.

## Ordering instructions

Indicate the part number for multirange application when ordering (see table).

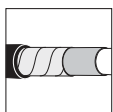
### Order example:

1 compact tee connector kit for 12/20 kV, for 95-300 mm<sup>2</sup> with mechanical conductor connector and clamping screw 430 TCS. Order according to the table: 1 kit – K480TB/G with part number 501133.

**Note:** The classification does only apply for polymeric insulated XLPE cables (dimensions acc. to DIN VDE 0276 620) with extruded conductive screen and stranded conductors.

<sup>3)</sup> Since the dimensions for cables at voltage level 20.8/36 (42) kV are not yet standardised, the conductor cross-sections and their assignment of diameters over core insulation given in the table are to be considered approximate values. When ordering accessories, we would like to ask you to indicate the checked diameters over core insulation.

Cross-section (mm <sup>2</sup> )	Dia. over core insulation (mm)		Multirange assignment Ordering part number for (K)(M)(P)480TB/G with mechanical connector TMBC	
	min.	max.	with clamping screw 430TCS / with M16 stud	
<b>Nominal voltage U<sub>0</sub>/U 6/10 kV</b>				
25	13.0	15.2	501125/ 501126	
35	14.1	16.3		
50	15.3	17.5		501127/ 501128
70	17.0	19.2		
95	17.9	20.8		
120	19.4	22.8		
150	20.9	24.3		
185	22.5	25.9		
240	25.0	28.4		501129/ 501130
300	27.7	30.4		
<b>Nominal voltage U<sub>0</sub>/U 12/20 kV (K)</b>				
35	18.3	20.5	501131/ 501132	
50	19.5	21.7		
70	21.2	23.4		501133/ 501134
95	22.8	25.0		
120	23.6	27.0		
150	25.1	28.5		
185	26.7	30.1		
240	29.2	32.6		501135/ 501136
300	31.2	34.6		
<b>Nominal voltage U<sub>0</sub>/U 18/30 kV (M)</b>				
50	23.8	26.7	501137/ 501138	
70	25.5	28.4		
95	27.1	30.0		501139/ 501140
120	28.6	32.0		
150	30.1	33.5		
185	31.7	35.1		
240	34.2	37.6		501141/ 501142
300	36.9	39.6		
<b>Nominal voltage U<sub>0</sub>/U 20.8/36 kV<sup>3)</sup> (P)</b>				
50	23.8	26.7	501143/ 501144	
70	25.5	28.4		
95	27.1	30.0		501145/ 501146
120	28.6	32.0		
150	30.1	33.5		
185	31.7	35.1		
240	34.2	37.6		



For use with copper tape screened cables. Order: Kit MT.



For use with other cable types please contact our representative.



For outdoor applications.



If an ATEX certification for connectors up to 12 kV is required, contact our sales representative before ordering.



All accessories available with mechanical or compression conductor connector.



When installed on appropriate equipment bushing: 1250 A continuously.

## Technical instructions and application information

The data given were determined diligently, but do not release our customers of the duty to carry out tests themselves in order to check the suitability of the products delivered by us for the intended use. We reserve the right to modify characteristic and performance data according to the present state of technology. Processing and use of the products cannot be controlled by us and are therefore exclusively in your field of responsibility.

Our products meet the VDE standards respectively correspond to DIN pages and IEC recommendations.

Attention: Before first design in please contact manufacturer.

The products, described in this catalogue, are designed for connection of bare energy cable conductors (Class 1 & 2) with description of round solid (RE), round stranded (RM), as well as sector solid (SE), sector stranded (SM) and round stranded compacted (RMV) for conductor temperatures up to 90 °C. All conductor filling materials like tapes, yarn, powder or similar need to be completely removed before the installation. A check on basis of the actual existing conductor dimensions by the user is indispensable. This applies also for the application of Class 6 conductors or other special conductor types.

Impact wrenches have to be approved by Nexans! Depending on different conductor material or conductor type, indicated values may differ from test values acc. to IEC 61238-1. The use of fine stranded conductors has to be approved by Nexans Power Accessories Germany GmbH.

Our responsibilities are only those listed in the latest edition of "General terms and conditions for the supply of products and services of the electrical and electronics industry". We can provide a copy on request.

Our products are mainly delivered in cartons. We only use package materials able to be recycled due to the latest packing system. Collapsible cardboard boxes are not taken back. Please try to order complete standard packages.

Reprinting, even partial, only with special allowance. We reserve the right to alter or modify the characteristics described. Illustrations and drawings may only show a close reflection and are not decisive. The weights are approximate and include the carton package. This catalogue substitutes all former editions. Types or versions not part of the catalogue are available on request.